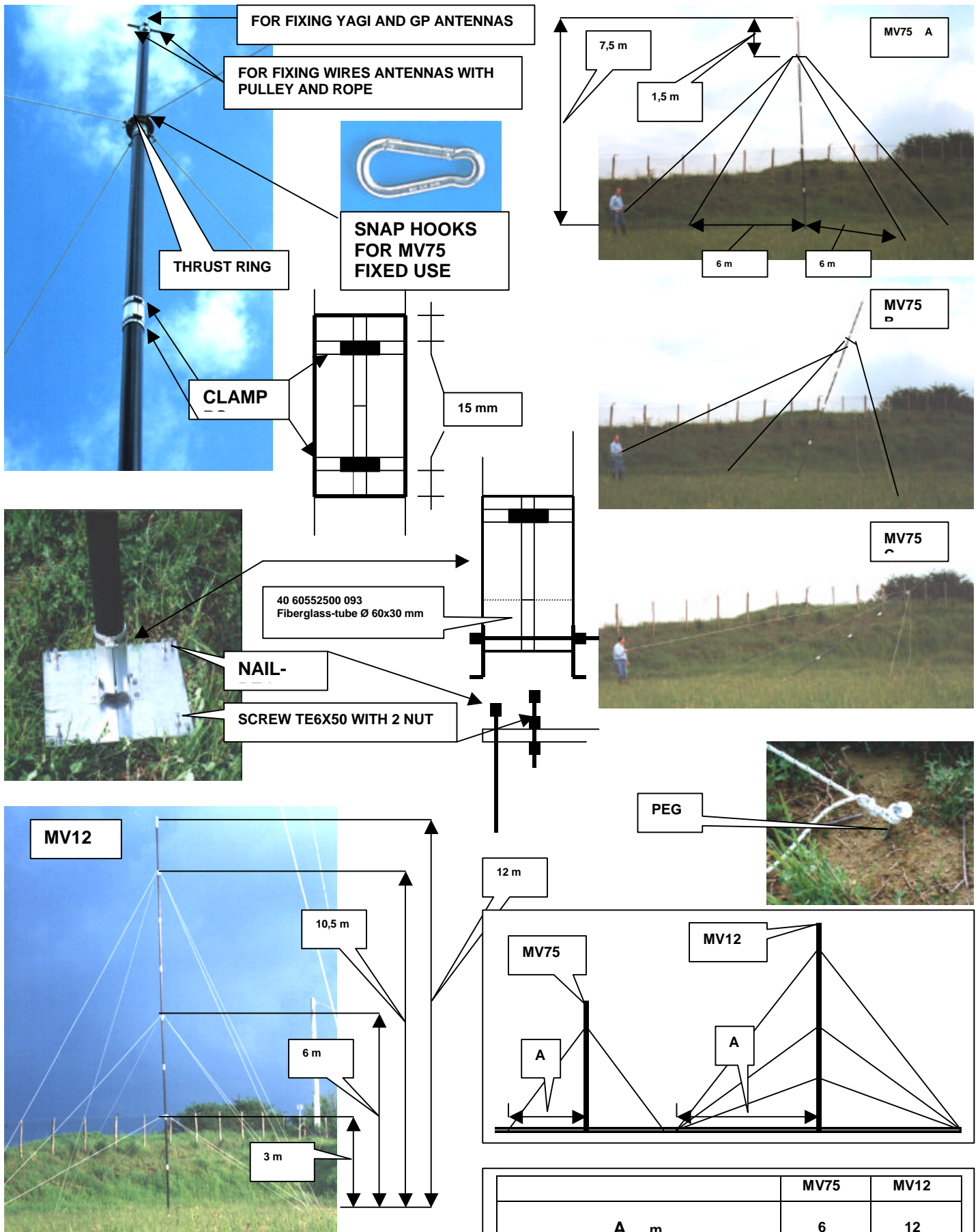
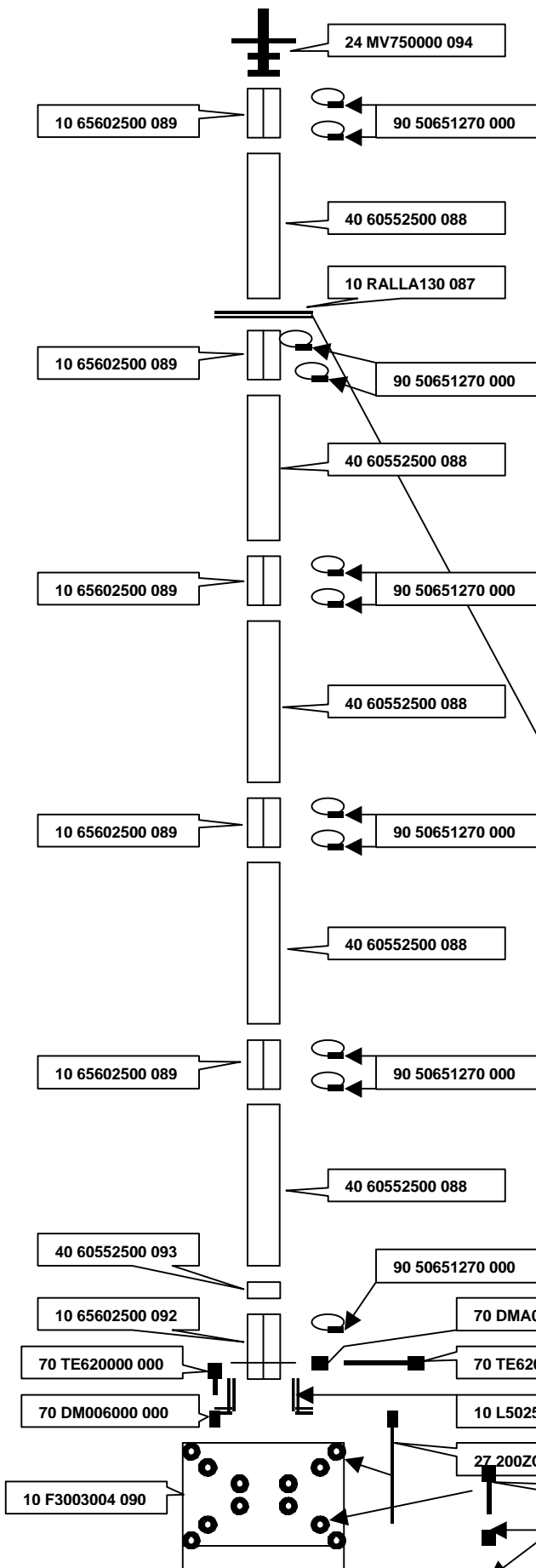


MV75 FIBERGLASS MAST ASSEMBLY INSTRUCTIONS



WiMo Antennen und Elektronik GmbH
 Am Gäxwald 14, D-76863 Herxheim, Germany
 Tel. 07276 919061 FAX 07272 6978
<http://www.wimo.com> e-mail: info@wimo.com

	MV75	MV12
A m.	6	12
MAX TOP LOAD Kgs.	12	5



Mod. MV75 PARTS LIST:

PART NUMBER, CODE	NAME	QTY.
40 60552500 088	Fiberglass tube Ø 60x1500	5
10 65602500 089	Slot-tube Ø 65x150	5
90 50651270 000	Stainless steel clamps	10
01 MV750000 000	Manual	1

Mod. K75 PARTS LIST :

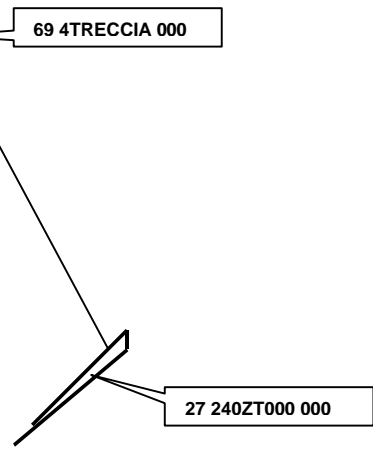
10 F3003004 090	*	Base flange	1
10 L5025200 091	*	Angulars	2
10 65602500 092	*	Slot-tube with hole	1
40 60552500 093	*	Fiberglass-tube Ø 60x30	1
90 50651270 000	*	Stainless steel clamp	1
70 TE680PF0 000	*	Screw TE 6x80 A2	1
70 DMA06000 000	*	Self-clamping nut 6 A2	1
70 TE620000 000	*	Screw TE 6x20 A2	4
70 DM006000 000	*	Nut 6 A2	4
70 TE650000 000	*	Screw TE 6x50 A2	4
70 DM006000 000	*	Nut 6 A2	8
27 200ZCHIO 000	*	Nails-pegs	4

* OVERTUNABLE BASE

24 MV750000 094	Cross-top for fixing antennas	1
10 RALLA130 087	Thrust ring for fixing rope	1
69 4TRECCIA 000	isolating rope (to be cut, 4 pcs. 10m each)	m.40
27 240ZT000 000	Pegs	4
01 MV750000 095	Drawing n° 095	1

Mod. K12 PARTS LIST:

10 RALLA130 087	thrust ring for fixing rope	2
69 4TRECCIA 000	isolating rope (to be cut: 4 pcs. 14 m each 4 pcs. 15 m each 4 pcs. 18 m each)	m.188
	Total	m.188



Rif.	Qty.	Name,Code, MAST MOD. MV75 AND K75	CODE 29 MV750000 095	Materiale	Art.Mod.
	1	Progettato da: BC	Controllato da: BC	Scala: NO	Tolleranze: NO
		Data 16/04/99	Data 16/04/99	Quote: NO	
Titolo: FIBERGLASS MAST MV75/K75 ASSEMBLY - PARTS LIST					
DRAWING N°: 095			Modifica: Data:	Foglio n°: 1	