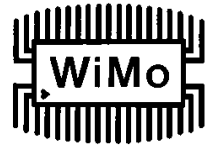


±45° Panel Antenne

Best.Nr. 18635.14



±45° Panel Antenna Technical Sheet



Applications

- 5GHz WLAN / Wi-Fi
- Wireless digital, Image transmission
- Wireless public hotspot coverage
- ±45° dual polarization operation

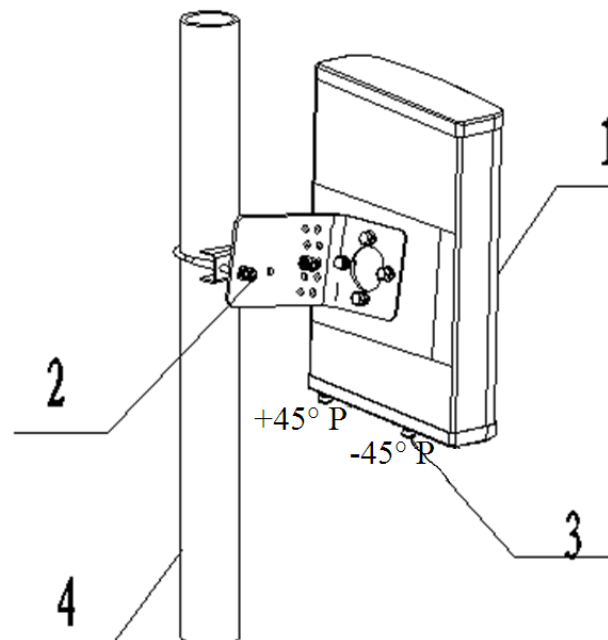
Feature

- High Gain, High isolation
- Light weight, Small size
- Strong Corrosion Resistance
- Supplied with Down-tilt Bracket Kits

Specifications

p/n	18635.14
Freq. range	5150-5850 MHz
Bandwidth	700 MHz
Gain	14 dBi
VSWR	≤2.0
Hor.Beamwidth	90°
Ver.Beamwidth	16°
F/B Ratio	≥25 dB
Isolation	≥28 dB
Impedance	50 Ohm
Polarization	±45°
Maximum Power	50 W
Connector	2x N female
Dimensions	215×128×56 mm
Weight	0.8 Kg
Mast Diameter	40-65 mm

Installation Sketch



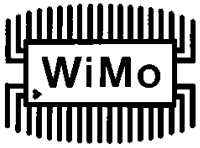
1. Antenna
2. Down-tilt Bracket
3. Connector
4. Mast

WiMo Antennen und Elektronik GmbH

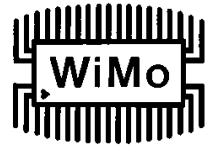
Am Gäxwald 14, D-76863 Herxheim Tel. (07276) 96680 FAX 9668-11
e-mail: info@wimo.com

<http://www.wimo.com>

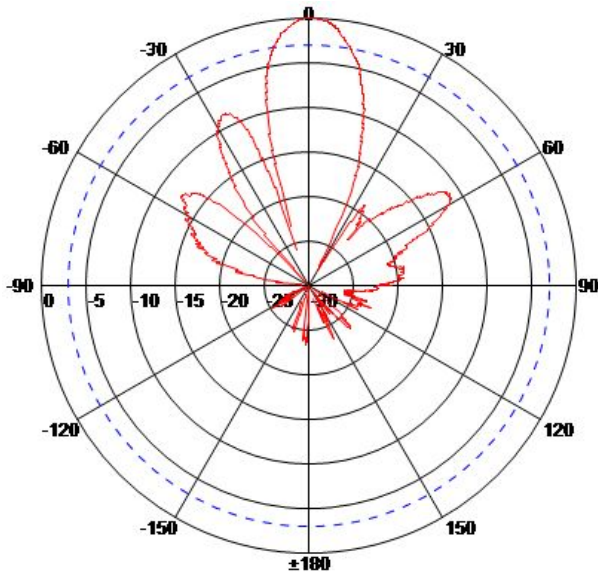
[e-mail: info@wimo.com](mailto:info@wimo.com)



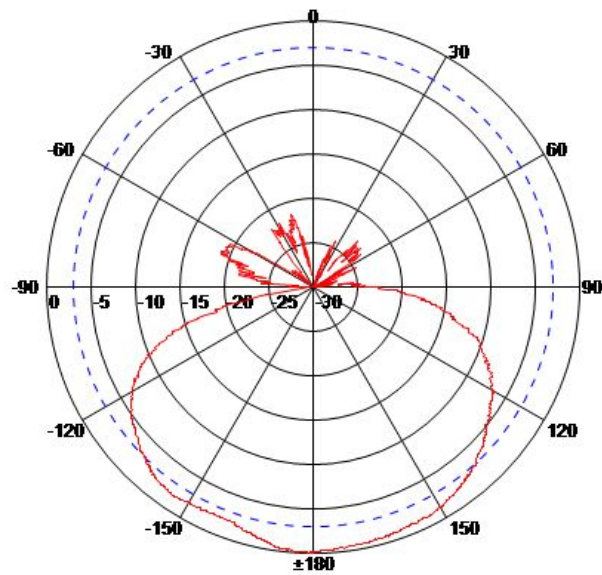
±45° Panel Antenne
Best.Nr. 18635.14



E-Plane



H-Plane



WiMo Antennen und Elektronik GmbH

Am Gäxwald 14, D-76863 Herxheim Tel. (07276) 96680 FAX 9668-11
<http://www.wimo.com> e-mail: info@wimo.com