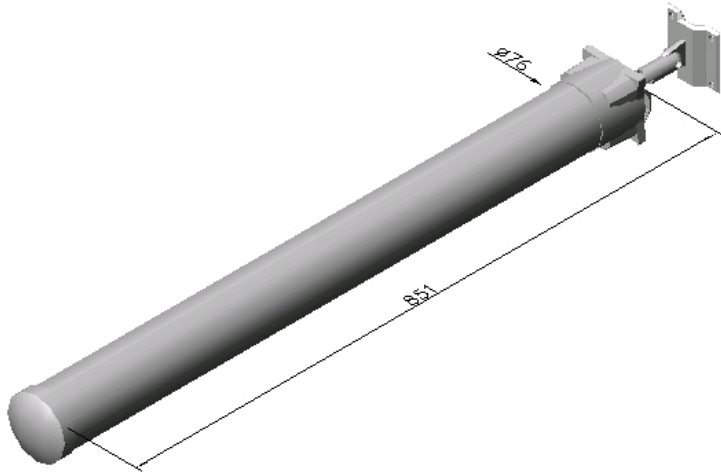
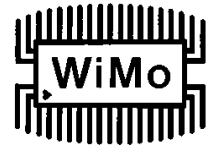


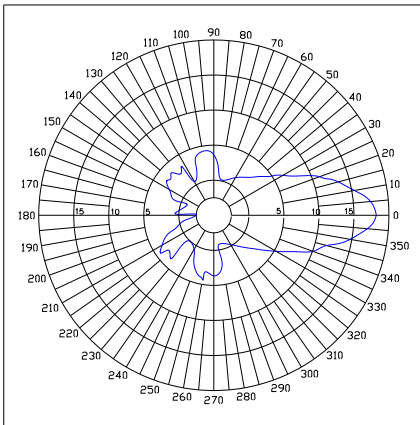
# YA2400-18

2.4 GHz yagi antenna for wLAN / ISM  
# 18690.18



Type: Yagi antenna,  
 Linear : VorH,  
 Frequency: 2400-2483.5MHz,  
 Impedance : 50 ohm,  
 VSWR:  $\leq 1.5$ ,  
 Gain: 18dBi,  
 Connector : N type Female,  
 With Link cable  
 Power handling: 50Watt,  
 Diameter: Dia76\*851mm,  
 Weight : 1240g,  
 Operation temp.: -30°C - 60°C  
 Material: ABS+ Brass  
 Mount: Stainless steel U-Bolt

H-Plane Field Pattern



E-Plane Field Pattern

